

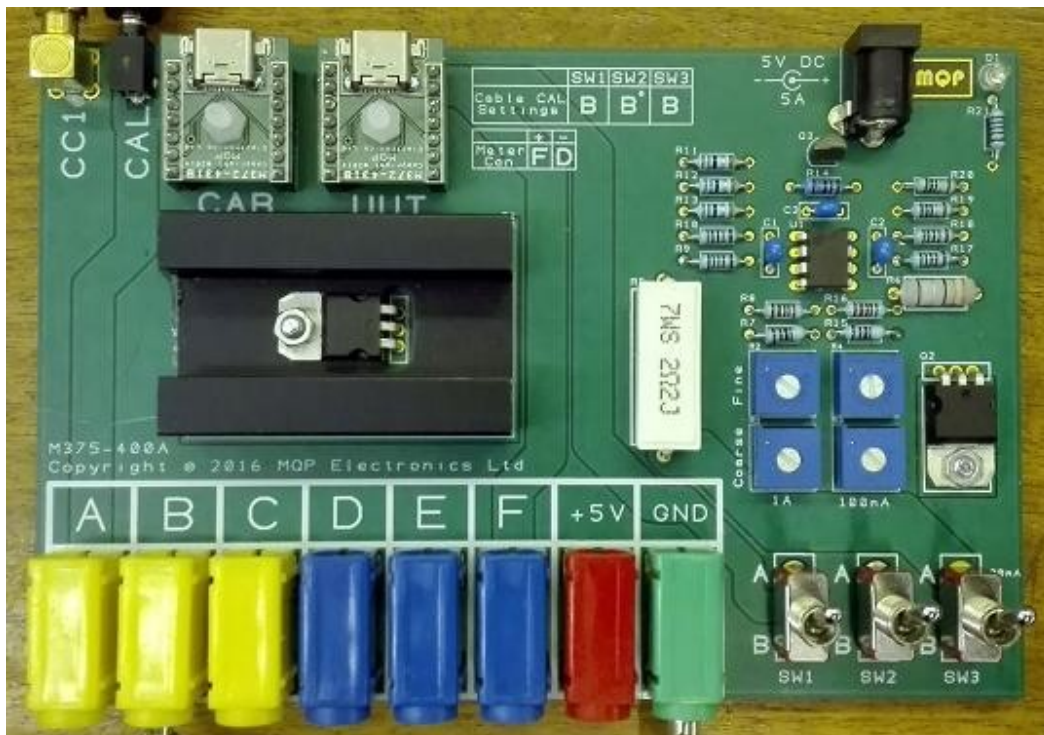
## PDT Calibration Jig User Instructions



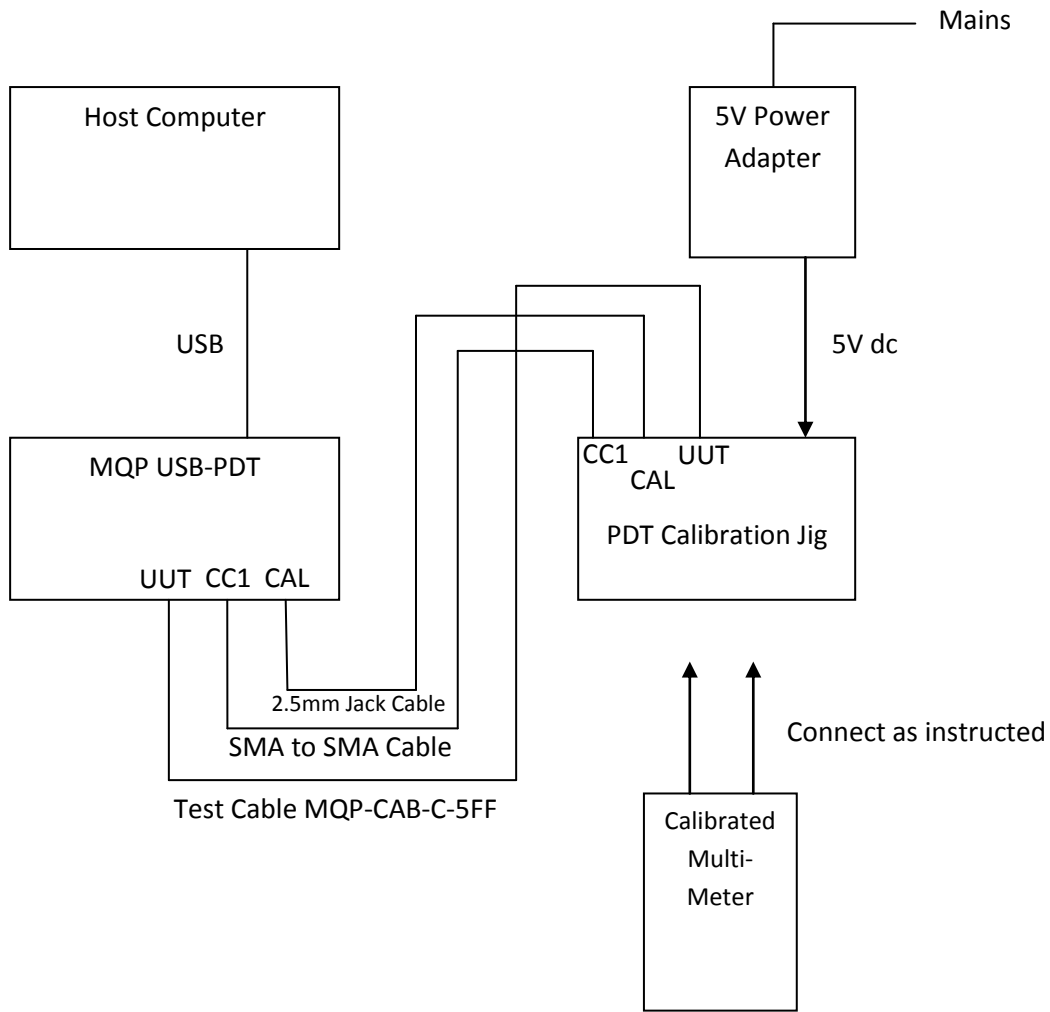
### *Contents of Calibration Kit*

- Calibration Board
- 5V dc / 5A Power Adapter
- Mains cable for Power Adapter
- SMA to SMA cable
- 2.5mm jack plug to 2.5mm jack plug cable

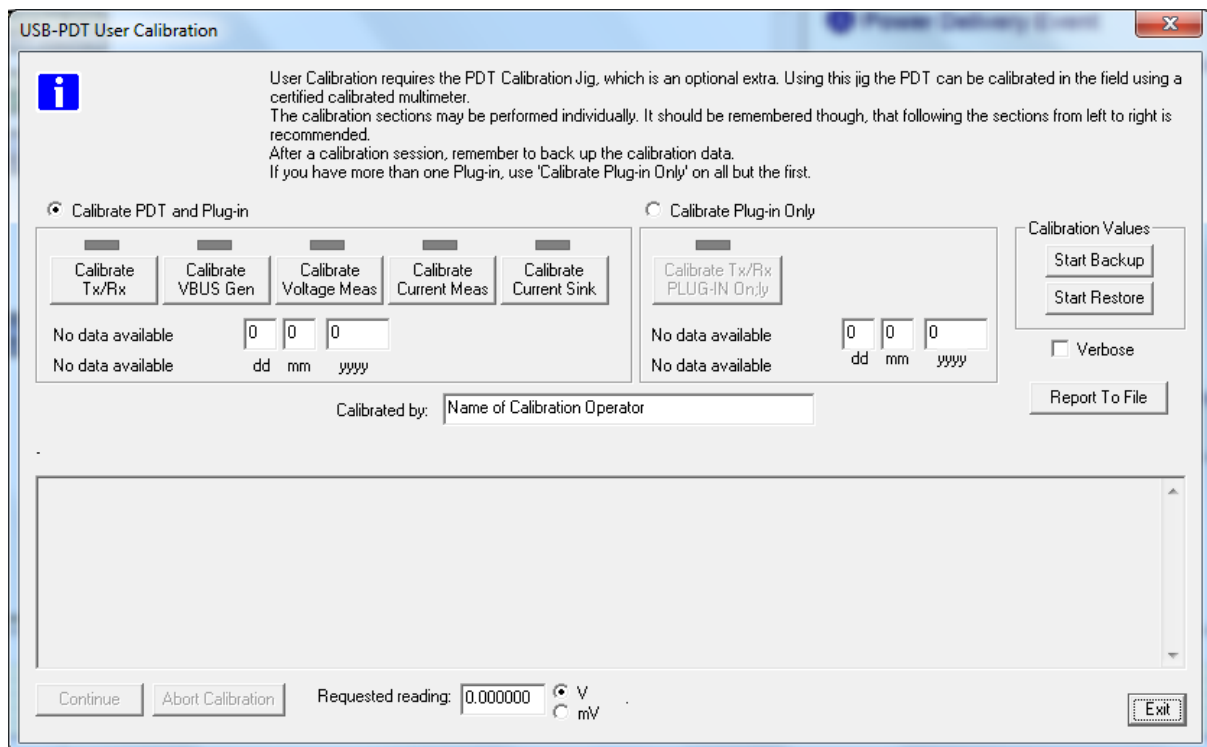
### *Calibration Board*



**Connection diagram**



Set up the PDT and Calibration kit as shown above. Then run GraphicUSB on the Host Computer. Select menu... Operations...PD...PDT Calibration.



Now follow the instructions given in the dialog.

Normally:

- Select Calibrate PDT and Plug-in
- Enter name of person doing the calibration in the 'Calibrated by' box
- The calibration is performed in 5 separate stages, from left to right.
- Follow the instructions carefully

If you are calibrating a second plug-in it is important to only calibrate the plug-in and not the whole PDT unit, so in this case:

- Select Calibrate Plug-in Only
- Follow the instructions carefully

After successful calibration, click 'Start Backup' to save the calibration data to a file.